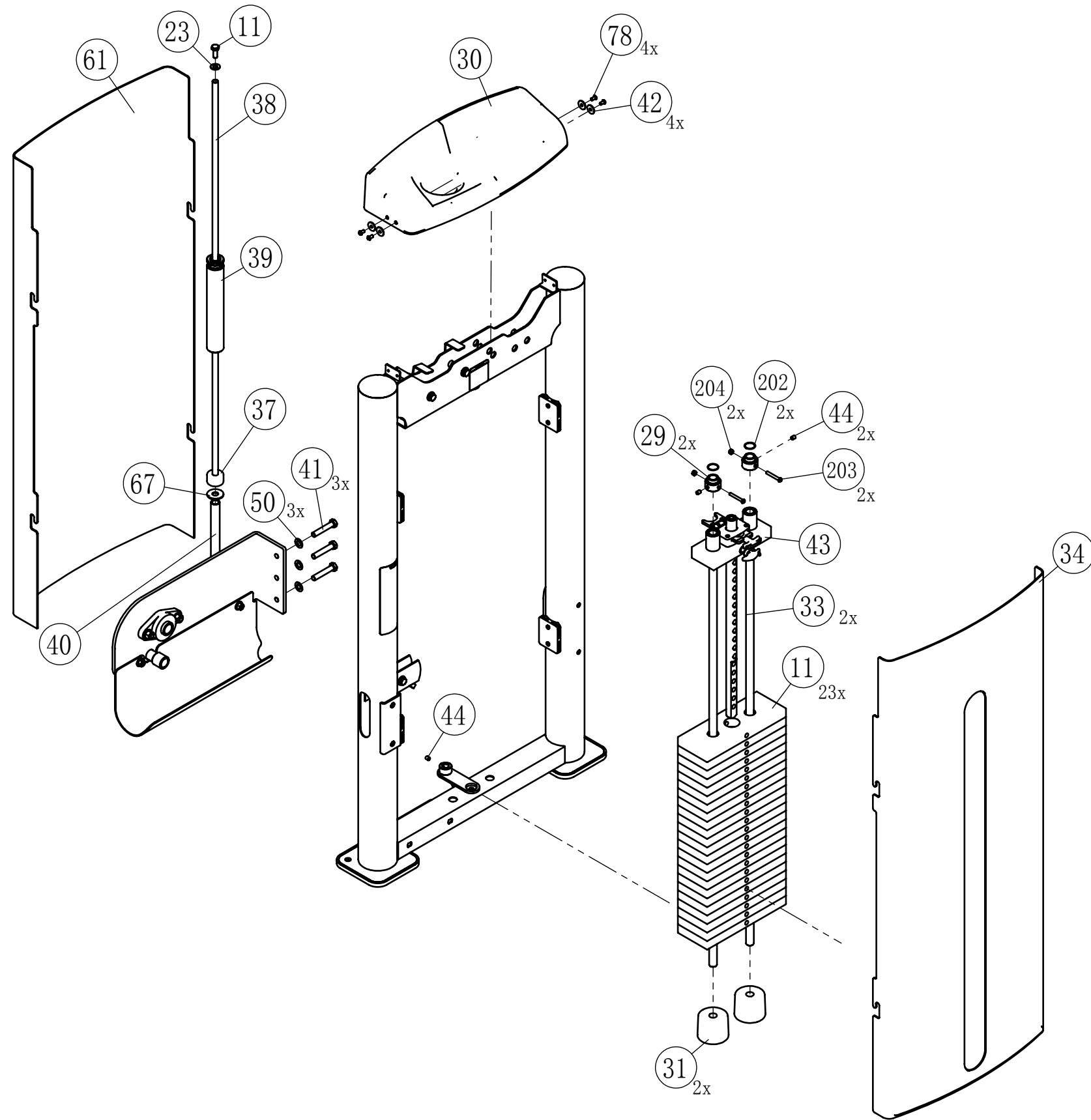
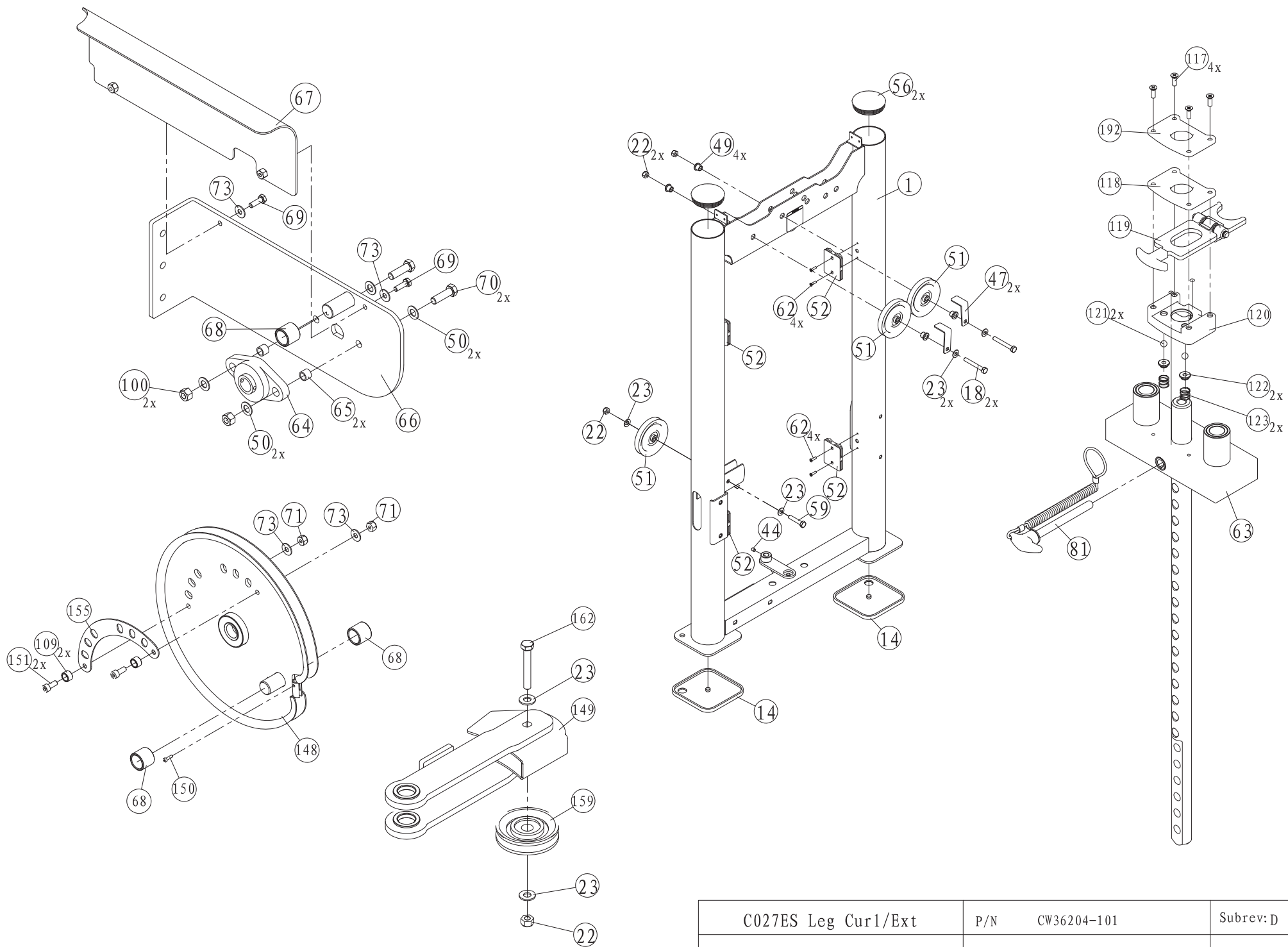


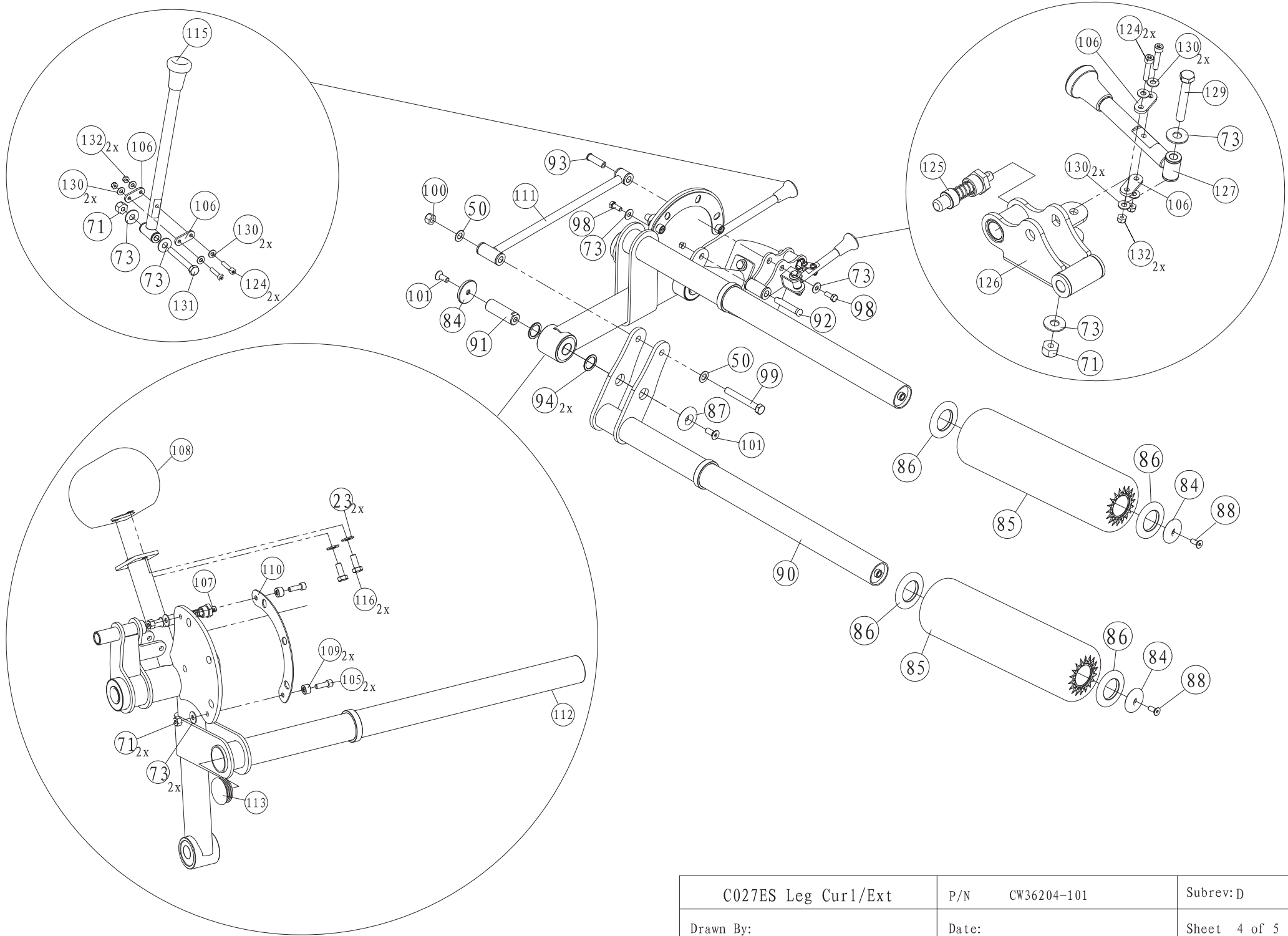
C027ES Leg Curl/Ext	P/N CW36204-101	Subrev:D
Drawn By:	Date:	Sheet 1 of 5



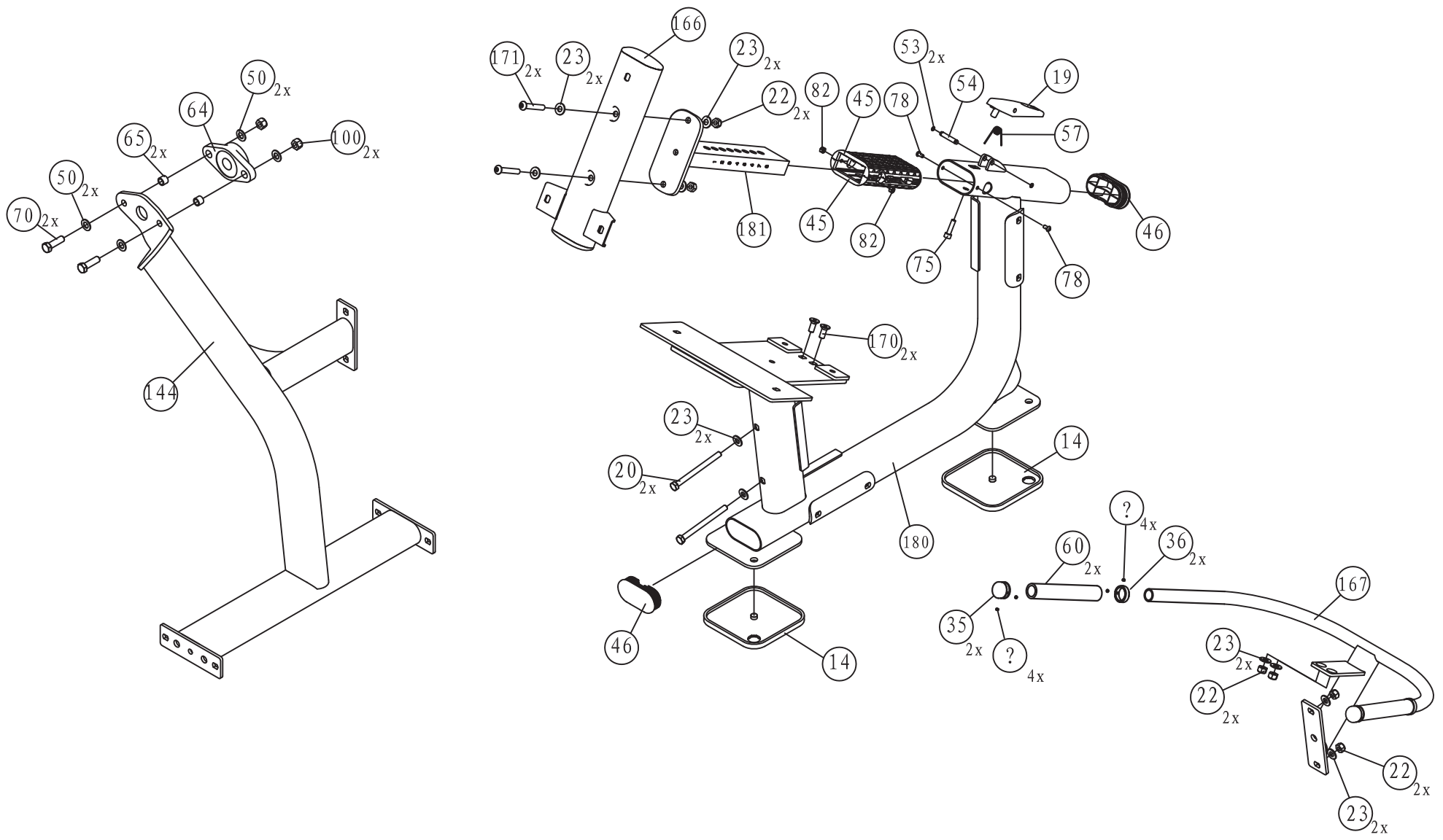
C027ES Leg Curl/Ext	P/N CW36204-101	Subrev:D
Drawn By:	Date:	Sheet 2 of 5



C027ES Leg Curl/Ext	P/N CW36204-101	Subrev: D
Drawn By:	Date:	Sheet 3 of 5



C027ES Leg Curl/Ext	P/N CW36204-101	Subrev: D
Drawn By:	Date:	Sheet 4 of 5



C027ES Leg Curl/Ext	P/N CW36204-101	Subrev:D
Drawn By:	Date:	Sheet 5 of 5

Bubble#	OEM Number	Description
1	PPP000CWR270100101	WELDMENT, WEIGHT TOWER
2	PPP000CWR050051901	WELDMENT, BACK PAD ADJUST
3	PPP000CWR270300101	WELDMENT, VERTICAL SUPPORT
9	PPP000CWR278100101	ASSY, CABLE CAM
18	PPP00000HMCN010075	SCREW, HEX HD, METRIC, M10 X 75L
19	PPP000CWR010900102	ASSY, PIN HANDLE W/ NEW HANDLE MATE
30	PPP000CWR141100101	BEARING W/ SEAT
44	PPP00000ECCN008008	SET SCREW, CUP, M8 X 8
54	PPP000CWR010091101	SHAFT
57	PPP000CWR010111101	SPRING
63	PPP000CWR275600101	ASSY, TOP PLATE
64	PPP000CWR141100101	BEARING W/ SEAT
66	PPP000CWR271400101	WELDMENT, SIDE SUPPORT
68	PPP000CWR275900101	SPACER
75	PPP00000CECN008030	SCREW, HEX SKHD, M8 X 30 (GB70M8X30
81	PPP000CWR272500101	WEIGHT SELECT PIN
90	PPP000CWR270800101	WELDMENT, ANKLE ROLLER CRANK
91	PPP000CWR272700101	SHAFT
93	PPP000CWR273000101	SHAFT
97	PPP000CWR271700101	CAM COVER
99	PPP00000HMCN012090	SCREW, HEX HD, METRIC, M12X 090L
107	PPP000CWR050059102	ASSY, SNAP PIN
108	PPP000CWR121200101	COUNTER WT
110	PPP000CWR271600101	DOUBLE ADJUST PLATE
111	PPP000CWR277300101	ASSY, OPERATION BAR
112	PPP000CWR270600101	WELDMENT, PIVOT ARM
113	PPP000CWR274800101	END CAP
115	PPP000CWR277500101	ASSY, CAM ADJUST HANDLE
118	PPP000CWR251600101	TOP COVER PLATE
120	PPP000CWR251700101	BASE
125	PPP000CWR242400101	ASSY, SNAP PIN

Bubble#	OEM Number	Description
126	PPP000CWR277700101	ASSY, ROLLER ADJUST BAR
127	PPP000CWR277760101	ASSY, ROLLER ADJUST HANDLE
129	PPP00000HMCN008050	SCREW, HEX HD, METRIC, M8 X 050L
131	PPP00000HMCN008065	SCREW, HEX HD, METRIC, M8 X 065L
149	PPP000CWR278200101	ASSY, GUIDE PULLEY ARM
167	PPP000CWR050230101	ASSY, HANDLE
180	PPP000CWR050006101	WELDMENT, SEAT SUPPORT
185	PPP000CWR270005101	LABEL, CAM ADJUST, LEG EXTENTION/CU
186	PPP000CWR010127101	LABEL, WEIGHT PLATE 240 LB, S-LINE
187	PPP000CWR010125101	LABEL, GENERAL WARNING STRENGTH, POR
189	PPP000CWR270001141	LABEL, INSTRUCTIONAL, LEG EXT/CURL,
200	PPP000CWR279990101	C027ES, LEG CURL/EXT HARDWARE PACK
201	PPP000CWR279991102	C027ES, LEG CURL/EXT HARDWARE PACK
205	PPP00000CW58106101	CS KIT, S-LINE GUIDE ROD MOUNT
999	PPP000CWR997777301	VITALITY SERIES SELECTORIZED LINE O